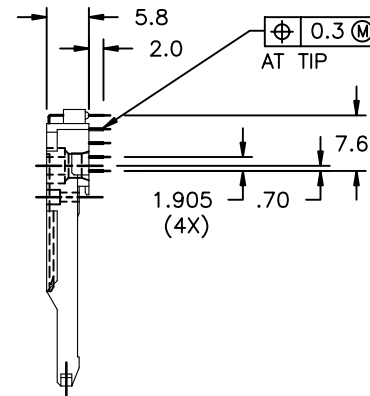
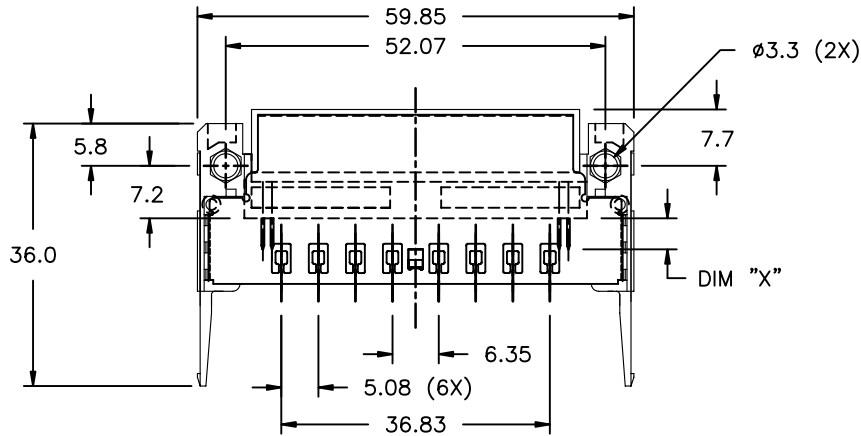


Tous droits strictement réservés. Reproduction ou communication a des tiers interdite sous quelque forme que ce soit sans autorisation écrite du propriétaire. Propriété de c FCI. Droits de reproduction FCI.

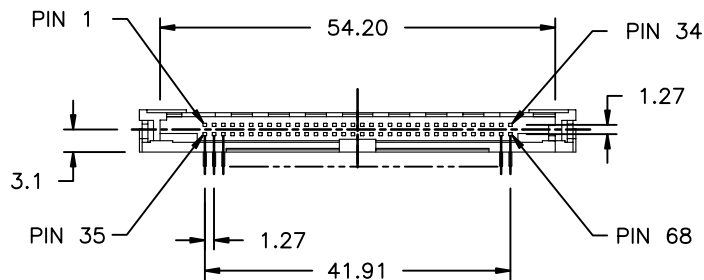
All rights strictly reserved. Reproduction or issue to third parties in any form whatever is not permitted without written authority from the proprietor. Property of FCI. Copyright FCI.


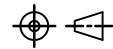
PRODUCT NO.	DIM "X"		
	4.25±0.1	3.5±0.1	5±0.1
71294-0000	OTHERS	36,67	1,17,34, 35,51,68
71294-0000LF	OTHERS	36,67	1,17,34, 35,51,68



NOTES:

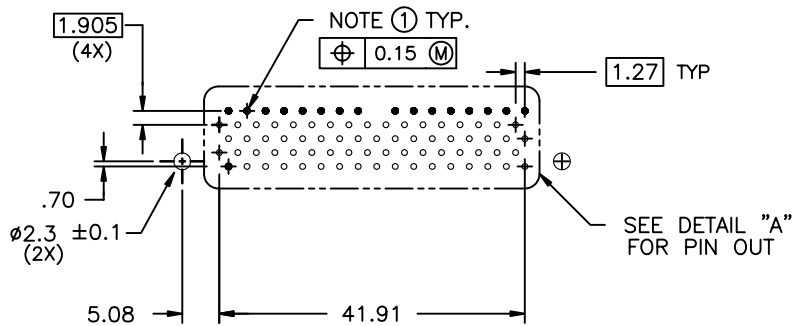
- MATERIAL  
HOUSING: LIQUID CRYSTAL POLYMER (LCP) UL94V-0 BLACK  
PIN: PHOSPHOR BRONZE
- FINISH  
UNDER PLATING : 0.5µm MIN. Ni  
CONTACT AREA : 0.1µm MIN. GOLD OVER 0.5µm MIN. Pd-Ni  
SOLDER TAIL (TIN LEAD OPTION) : 2.5µm MIN. Sn-Pb  
SOLDER TAIL (LEAD FREE OPTION) : 2.5µm MIN. PURE TIN
- RECOMMENDED SCREW TORQUE: 1.0 TO 1.5 MAX in-lbs (1.2-1.7 cm-kgs).  
RECOMMENDED HOLD DOWN: 2mm SCREWS (95121-001)  
AND NUTS (92869-001).
- SEE SHEET 2 FOR P.C.B. LAYOUT.
- IF LEAD FREE P/N. THE HOUSING WILL WITHSTAND EXPOSURE TO 260°C PEAK TEMPERATURE FOR 10 SECONDS IN A WAVE SOLDER APPLICATION WITH A 1.00MM MINIMUM THICK CIRCUIT BOARD.
- LEAD FREE PRODUCT MEETS EUROPEAN UNION DIRECTIVES AND OTHER COUNTRY REGULATIONS AS DISCRIBLED IN GS-22-008
- IF LEAD FREE P/N. PACKAGING MEETS GS-14-920 SPECIFICATION



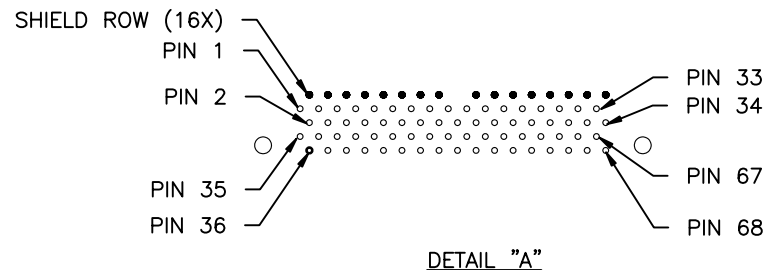
mat'l. code				tolerances unless otherwise specified		CUSTOMER COPY	 www.fciconnect.com
ltr	ecn no	dr	date	linear	angles		
A	V61089	RHG	8/20/96	.XX±.13	0° ±2°	projection	title
B	V70388	RHG	5/22/97	.XXX±.051			RIGHT ANGLE CARDBUS HEADER ASSEMBLY
C	V12254	TFG	9/25/01				
D	N05-0054	WB	03/01/05	R.GRAPE 8/20/95	D.BRANN 8/20/96	MM	MCS
				enr D.BRANN 8/20/96	chr D.BRANN 8/20/96	scale	size
				appd D.BRANN 8/20/96		1:1	dwg no
sheet index	revision sheet	D	D				71294
		1	2				1 of 2

Tous droits strictement reserves. Reproduction ou communication a des tiers interdite sous quelque forme que ce soit sans autorisation ecrite du Proprietaire. Propriete de c FCI. Droits de reproduction FCI.

All rights strictly reserved. Reproduction or issue to third parties in any form whatever is not permitted without written authority from the proprietor. Property of FCI. Copyright FCI.



P.C.B. LAYOUT



NOTES:

- ① RECOMMENDED DIAMETER IS  $\phi 1.0$ . FOR PROCESSES USING PASTE REFLOW, HOLE MAY BE AS SMALL AS  $\phi 0.79$ .
- 2 ALL TOLERANCES  $\pm 0.15$  UNLESS NOTED.

mat'l. code				tolerances unless otherwise specified			CUSTOMER COPY		 FCI <a href="http://www.fciconnect.com">www.fciconnect.com</a>	
ltr	ecn no	dr	date	linear	.X $\pm$ .3		projection	 title RIGHT ANGLE CARDBUS HEADER ASSEMBLY		
D					.XX $\pm$ .13					
					.XXX $\pm$ .051					
				angles	0' $\pm$ 2'		 scale 1:1	product family		code
				dr	R.GRAPE	8/20/96		MCS		-
				enr	D.BRANN	8/20/96		size		sheet
				chr	D.BRANN	8/20/96		dwg no		2 of
				appd	D.BRANN	8/20/96		A4		71294
sheet index	revision sheet									